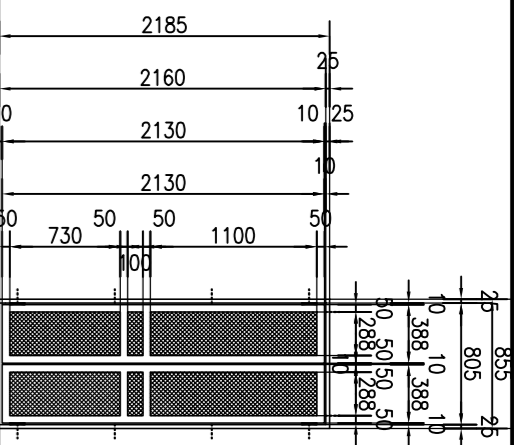
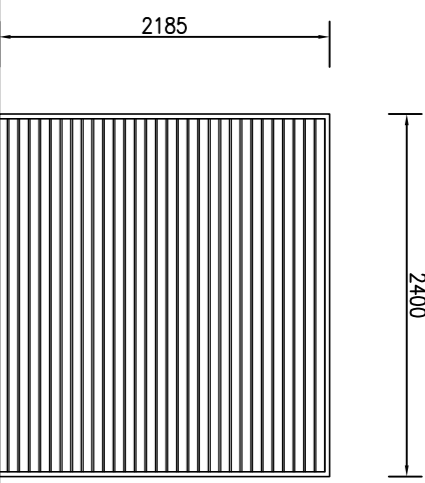
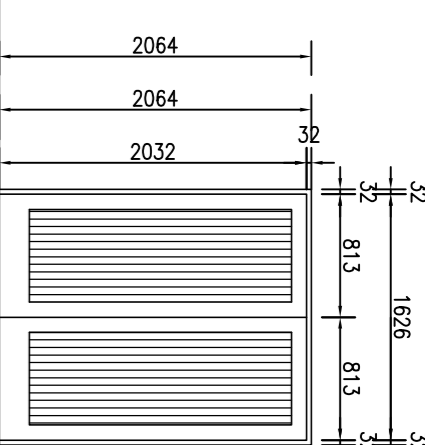
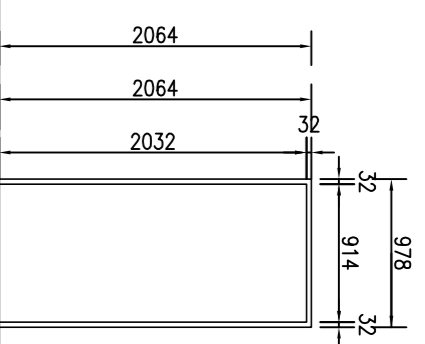
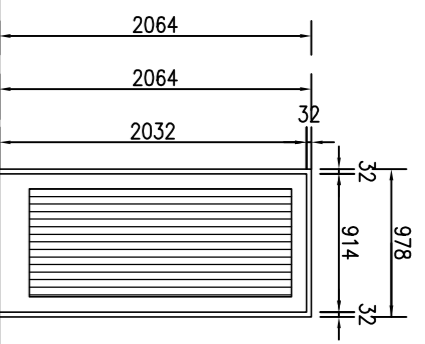


DOOR SCHEDULE:
Scale 1:50.



- NOTE :**
- ALL DIMENSIONS AND LEVELS ARE TO BE SET ON SITE PRIOR TO COMMENCING SETTING OUT.
 - DO NOT SCALE DIMENSIONS FROM DRAWINGS.
 - DISCREPANCIES, ERRORS AND OMISSIONS ARE TO BE REPORTED TO ARCHITECTS IMMEDIATELY UPON DETECTION.
 - APPROVALS MUST BE OBTAINED FROM ARCHITECTS PRIOR TO MANUFACTURE OR INSTALLATION.
 - COPYRIGHT AND RIGHT OF REPRODUCTION OF THIS DRAWING OR ANY PORTION THEREOF IS RESERVED BY ARCHITECTS.

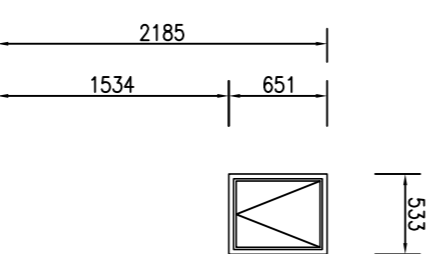
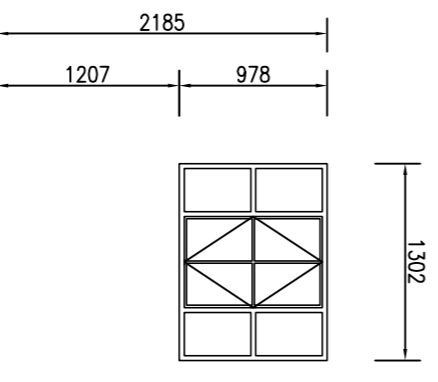
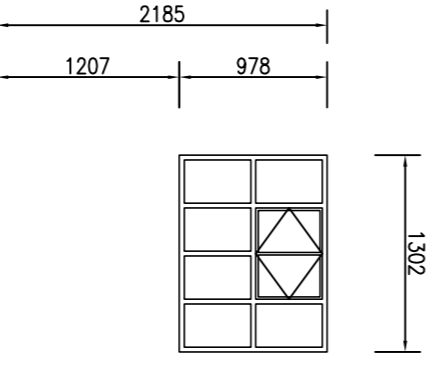
REVISIONS:

REV NO.	DESCRIPTION
REV 1	ALL INTERNAL DOORS TO BE CHANGE TO 914mm DOORS 01, 02 & 05.
REV 2	DOOR 05 TO BE 40mm THICK SOLID ORE DOOR.
REV 3	ALL DOORS IN WINDOW AREA TO BE PROVIDED WITH SW HANDS & AS INDICATED ON PLAN.
REV 4	OPEN WALKWAY FLOOR TO BE 20mm LOWER THAN FLOOR LEVEL IN CLASSROOMS.
REV 5	THE EQUIPMENT 2/HR PER WALL WITH 3/8K COP.
REV 6	PROVIDE REB WELTS BETWEEN WINDOW AREA & PREP AREA'S INDICATED.
REV 7	CHANGE TOILET TO WELC & FRAME TOOLS AS INDICATED FROM REV 03 AND 1 X 02.

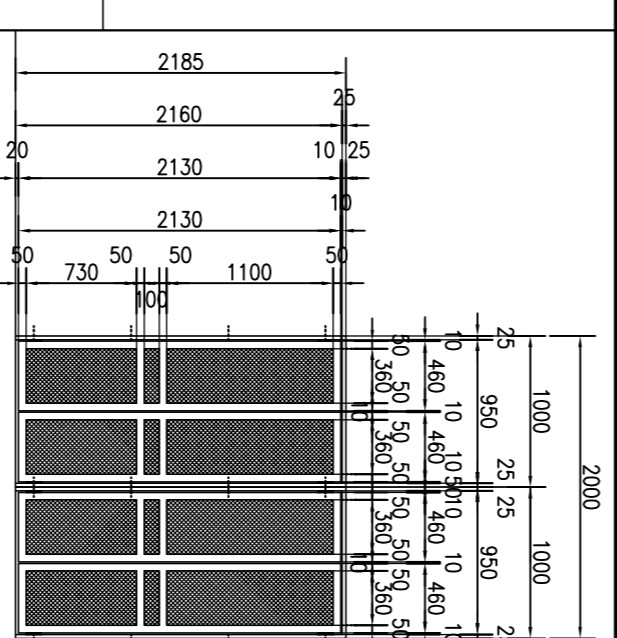
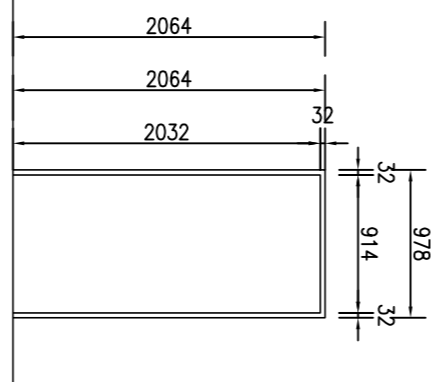
SECOND PHASE

MANUFACTURE AS SPECIFIED TO BE CANCELLED AFTER TO MANUFACTURE / SPECIFIED OPERATIONS BY SPECIALIST.

WINDOW SCHEDULE:
Scale 1:50.



DOOR SCHEDULE:
Scale 1:50.



DOOR NUMBER:	POSITION:	DESCRIPTION:	FINISHES:	GLASS:
D1	BULK STOREROOM , DAY STORE AREA TOILET	1,2mm THICK STANDARD STEEL DOUBLE REBATED DOORFRAME FOR 115MM WALL TO RECEIVE PLASTER ON ONE-SIDE	1/RED OXIDE PRIMER + 1/COAT UNIVERSAL UNDERCOAT + 2/COATS PLASCON GLOSS ENAMEL PAINT. - COLOUR TO ARCHITECT.	4mm THICK CLEAR COATED SHEET GLAZING SECURED IN FRAME WITH SABS APPROVED GLAZING PUTTY
D2	ENTRANCE TO TOILET	1,2mm THICK STANDARD STEEL DOUBLE REBATED DOORFRAME FOR 115MM WALL TO RECEIVE PLASTER ON ONE-SIDE	1/RED OXIDE PRIMER + 1/COAT UNIVERSAL UNDERCOAT + 2/COATS PLASCON GLOSS ENAMEL PAINT. - COLOUR TO ARCHITECT.	4mm THICK CLEAR COATED SHEET GLAZING SECURED IN FRAME WITH SABS APPROVED GLAZING PUTTY
D3	ENTRANCE TO NUTRITION FACILITY	1,2mm THICK STANDARD STEEL DOUBLE REBATED DOORFRAME FOR 230MM WALL TO RECEIVE PLASTER ON ONE-SIDE	1/RED OXIDE PRIMER + 1/COAT UNIVERSAL UNDERCOAT + 2/COATS PLASCON GLOSS ENAMEL PAINT. - COLOUR TO ARCHITECT.	5mm THICK PRACTIC OBSOURED GLAZING SECURED IN FRAME WITH SABS APPROVED GLAZING PUTTY
D4	NUTRITION FACILITY	STANDARD WISPECO 2185 x 2400mm ROLLERSHUTTER DOOR WITH CHROMADERK FINISH COMPLETE WITH FITTINGS AS SUPPLY BY MANUFACTURER.	FINISH: CHROMADERK FINISH - COLOUR BY ARCHITECT	NOT APPLICABLE
D6	B/C	FRAME OUT OF 50 x 25 x 1,6mm W/S RECTANGULAR TUBING WITH 45 DEGREES AT CORNER BEFORE WELDED AND SECURED IN OPENING WITH BRACKETS WELDED TO GATE & BOLTED TO WALL	1/RED OXIDE PRIMER + 1/COAT UNIVERSAL UNDERCOAT + 2/COATS PLASCON GLOSS ENAMEL PAINT. - COLOUR TO ARCHITECT.	NOT APPLICABLE
D5	ENTRANCE PRE AREA	1,2mm THICK STANDARD STEEL DOUBLE REBATED DOORFRAME FOR 230MM WALL TO RECEIVE PLASTER ON ONE-SIDE	1/RED OXIDE PRIMER + 1/COAT UNIVERSAL UNDERCOAT + 2/COATS PLASCON GLOSS ENAMEL PAINT. - COLOUR TO ARCHITECT.	NOT APPLICABLE
D7	GAS-BANK	FRAME OUT OF 50 x 25 x 1,6mm W/S SQUARE-TUBING WITH 45 DEGREES AT CORNER BEFORE WELDED AND SECURED IN OPENING WITH BRACKETS WELDED TO GATE & BOLTED TO WALL	1/RED OXIDE PRIMER + 1/COAT UNIVERSAL UNDERCOAT + 2/COATS PLASCON GLOSS ENAMEL PAINT. - COLOUR TO ARCHITECT.	NOT APPLICABLE
W1	PREP AREA , NUTRITION FACILITY , TOILET.	STANDARD SS INDUSTRIAL TYPE STEEL WINDOW-FRAME CATALOGUE NUMBER SS41 COMPLETE WITH FITTINGS AS SUPPLY BY MANUFACTURER	1/RED OXIDE PRIMER + 1/COAT UNIVERSAL UNDERCOAT + 2/COATS PLASCON GLOSS ENAMEL PAINT. - COLOUR ACCORDING TO ARCHITECT.	
W2	BULK & DAY STORE	STANDARD SS INDUSTRIAL TYPE STEEL WINDOW-FRAME CATALOGUE NUMBER SS41 COMPLETE WITH FITTINGS AS SUPPLY BY MANUFACTURER	1/RED OXIDE PRIMER + 1/COAT UNIVERSAL UNDERCOAT + 2/COATS PLASCON GLOSS ENAMEL PAINT. - COLOUR ACCORDING TO ARCHITECT.	
W3	TOILETS	E-TYPE TOP-HUNG STEEL WINDOW-FRAME CATALOGUE NUMBER NE 1 COMPLETE WITH FITTINGS AS SUPPLY BY MANUFACTURER	1/RED OXIDE PRIMER + 1/COAT UNIVERSAL UNDERCOAT + 2/COATS PLASCON GLOSS ENAMEL PAINT. - COLOUR ACCORDING TO ARCHITECT.	

DOOR NUMBER:	POSITION:	DESCRIPTION:	FINISHES:	GLASS:
D5	ENTRANCE PRE AREA	1,2mm THICK STANDARD STEEL DOUBLE REBATED DOORFRAME FOR 230MM WALL TO RECEIVE PLASTER ON ONE-SIDE	1/RED OXIDE PRIMER + 1/COAT UNIVERSAL UNDERCOAT + 2/COATS PLASCON GLOSS ENAMEL PAINT. - COLOUR TO ARCHITECT.	NOT APPLICABLE
D7	GAS-BANK	FRAME OUT OF 50 x 25 x 1,6mm W/S SQUARE-TUBING WITH 45 DEGREES AT CORNER BEFORE WELDED AND SECURED IN OPENING WITH BRACKETS WELDED TO GATE & BOLTED TO WALL	1/RED OXIDE PRIMER + 1/COAT UNIVERSAL UNDERCOAT + 2/COATS PLASCON GLOSS ENAMEL PAINT. - COLOUR TO ARCHITECT.	NOT APPLICABLE

THE ARCHITECTS
404 Via Padova Street, Melbourne, 3000
Tel: +61 3 9593 2000 Fax: +61 3 9593 491 9979

MOKOPANE PRIMARY SCHOOL
MOKOPANE EXTENSION 20

NUTRITIONAL CENTRE
DOORS & WINDOWS SCHEDULES

SCALE: AS SHOWN
DATE: JAN 2016
PROJECT NUMBER: M513
DRAWING NUMBER: 303-WOODSNT

DESIGNED BY: [Signature]
CHECKED BY: [Signature]

NOTES:

- ALL DIMENSIONS AND LEVELS ARE TO BE VERIFIED ON SITE PRIOR TO COMMENCING SETTING OUT.
- DO NOT SCALE DIMENSIONS FROM DRAWINGS.
- DISCREPANCIES, ERRORS AND OMISSIONS ARE TO BE REPORTED TO ARCHITECTS IMMEDIATELY UPON DETECTION.
- APPROVALS MUST BE OBTAINED FROM ARCHITECTS PRIOR TO MANUFACTURE OR INSTALLATION.