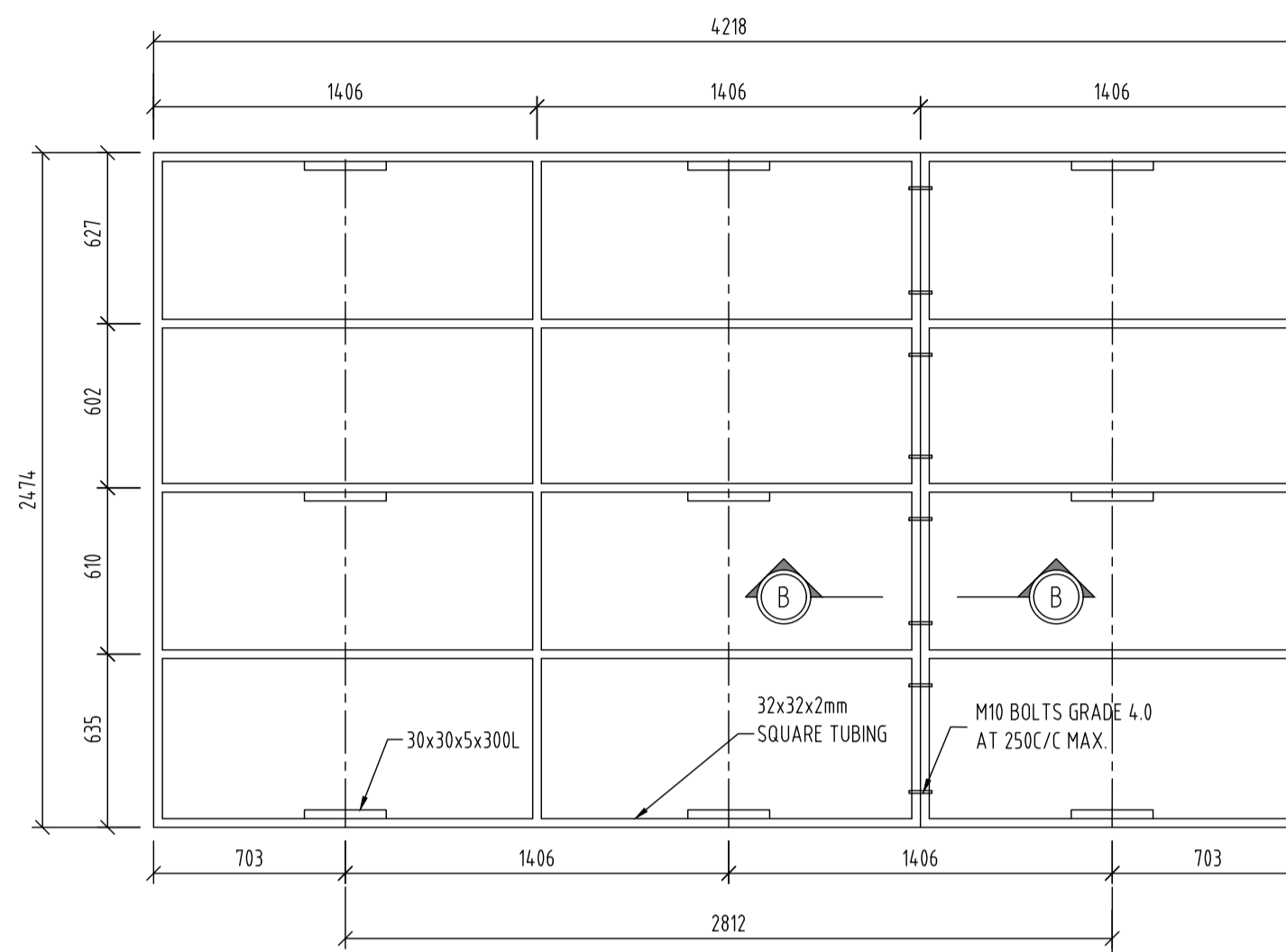
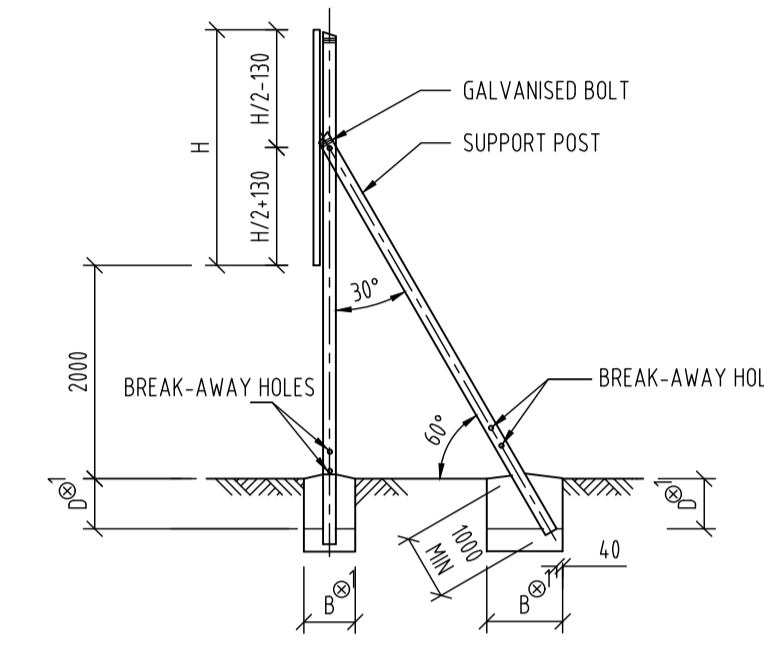


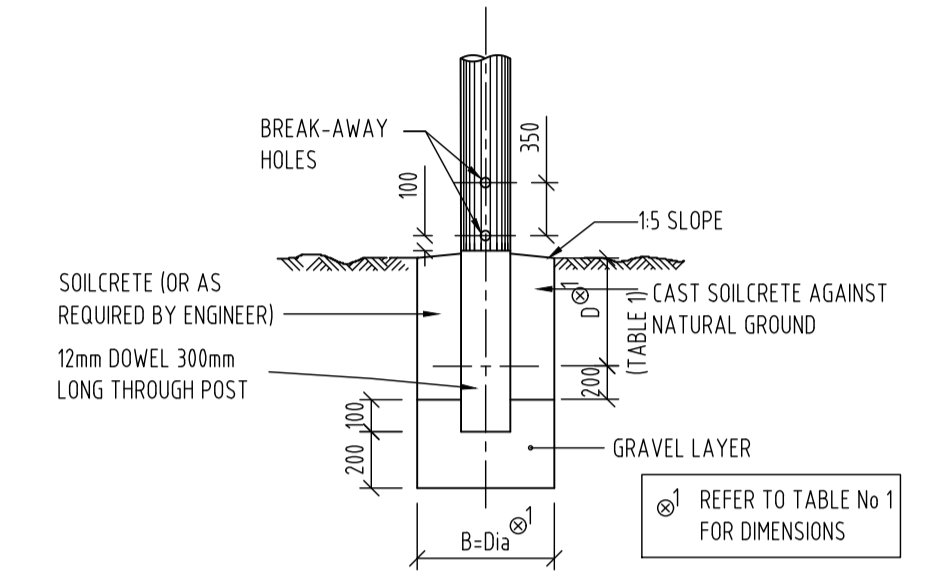
FRONT ELEVATION
(SCALE- 1:25)



REAR SIDE BRACING
(SCALE- 1:25)

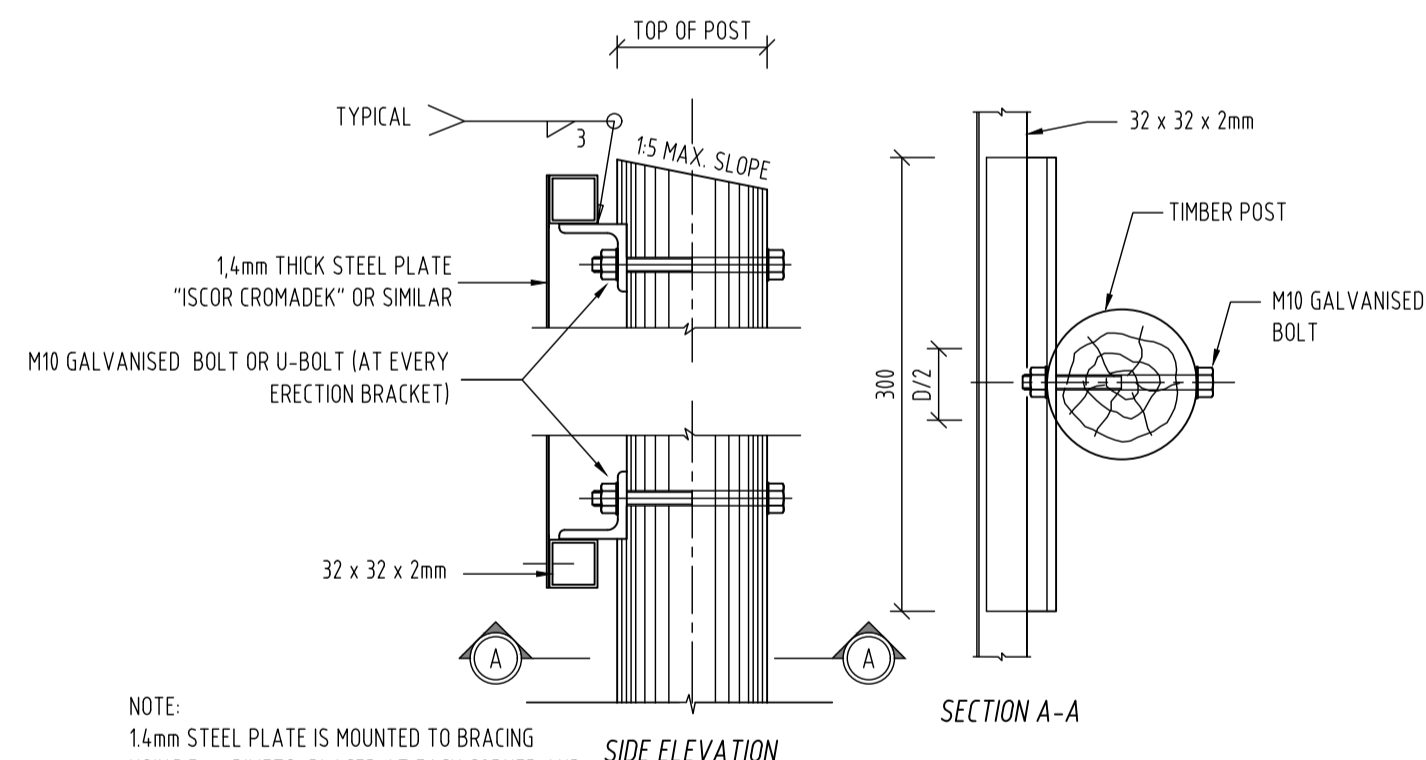


SIDE ELEVATION OF ROAD SIGN
(SCALE- 1:50)

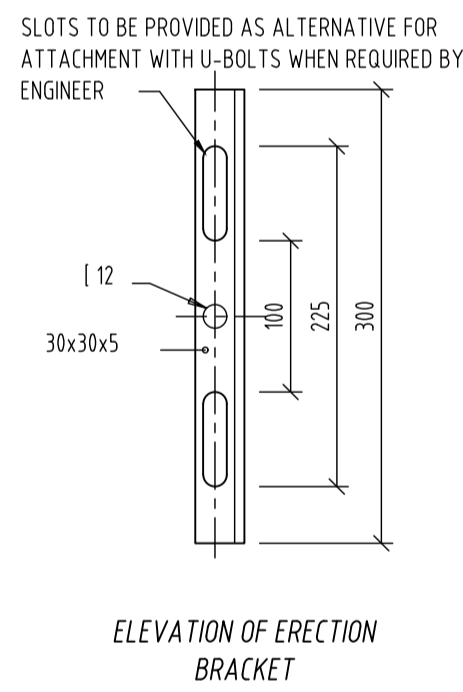


FOUNDATION DETAIL
(SCALE- 1:50)

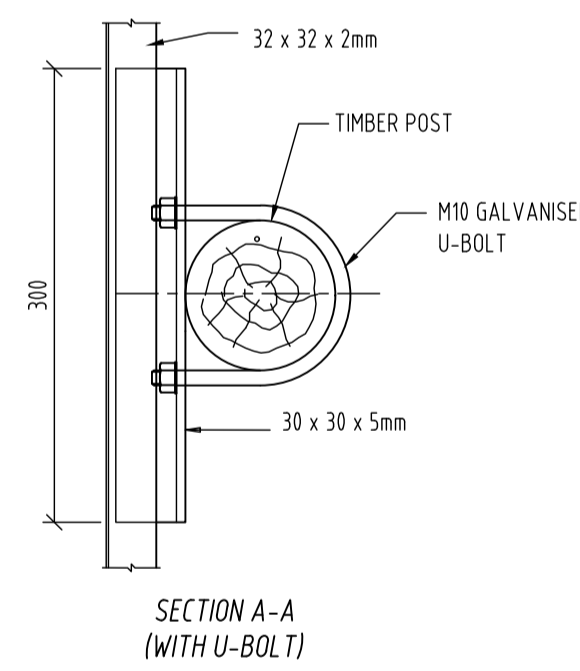
SEE NOTE 6



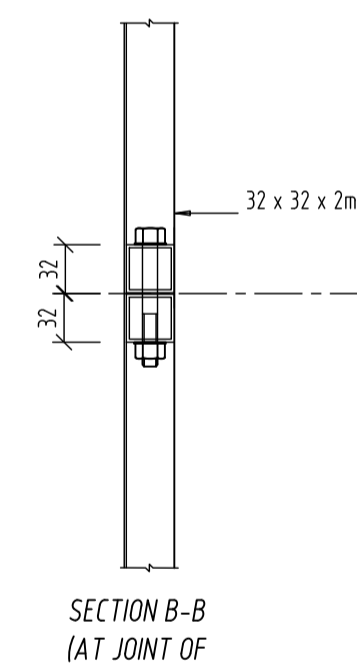
NOTE:
1.4mm STEEL PLATE IS MOUNTED TO BRACING USING 5mm RIVETS, PLACED AT EACH CORNER AND SQUARE TUBE JOINT, AND EQUALLY SPALED AT NO LESS THAN 250mm AND NO GREATER 360mm



ELEVATION OF ERECTION BRACKET



SECTION A-A (WITH U-BOLT)



SECTION B-B (AT JOINT OF SIGN)

FIXING DETAIL FOR SIGN BOARDS
(SCALE- 1:5)

DETERMINATION OF BREAK-AWAY HOLES	
POLE DIA (mm)	HOLE DIA (mm)
< 140	NONE
141 - 170	40
171 - 200	50
201 - 225	65

TABLE OF BREAK-AWAY HOLE

NOTES:

- EMBLEM:**
- ALL EMBLEMS TO BE DISPLAYED IN FULL COLOR ON A SEMI-MATT BACKGROUND.
- LETTERS AND NUMBERS:**
- DESCRIPTION: MATT-BLACK, SERIES DIN B LETTERS AND NUMBERS ON A SEMI-MATT SMOKE- GREY BACKGROUND.
- BORDERS:**
- BORDER: GREEN NON-REFLECTORIZED
- QUANTITY:**
- TWO SIGN BOARDS, SHALL BE ERECTED AT POSITIONS AS DETERMINED BY THE ENGINEER.
- DESCRIPTION:**
- DESCRIPTION OF WORK (NUMBER OF KILOMETERS AND TYPE OF WORK, eg "13.5km RECONSTRUCTION OF ROAD 1974." DESCRIPTION STARTS CENTERED ON THE LEFT-HAND SIDE AND THE FIRST 105mm-DIMENSION BELOW "ROADS AGENCY LIMPOPO"
- GENERAL:**
- SAFEEC EMBLEM ONLY IF CONTRACTOR IS A MEMBER OTHERWISE BLANK.

TABLE 1: DETERMINATION OF POSTS & FOOTINGS

TYPE OF POST	ERECTION DETAILS			
	UPRIGHT	STAY	D	B (DIA)
TIMBER POST AND STAY	100-150mm	100-125mm	600mm	850mm
D-SECTION STEEL POST	100mm x 4mm	-	1000mm	1450mm

No	DATE	REVISION	CONSULT	DIR
A	15-08-2019	PRELIMINARY DESIGN DRAWING	L.G.N	S.M.N
No	DATE	REVISION 1	CONSULT	DIR

FOR PRELIMINARY

DESIGNED BY	SM NQUMALO (Pr. Technician)
CHECKED BY	LG NGCIBO (Pr. Technologist)
DRAWN BY	F BALOYI (Candidate Technician)
CHECKED BY	SM NQUMALO (Pr. Technician)

PALABORA COPPER (Pty) LIMITED
PO Box 65
1 Copper Road
1389
Phalaborwa, Limpopo
Tel: 015 780 2911
Fax: 015 780 2093



HLAYELENI CONSULTING ENGINEERS
12 BICCARD STREET
BICCARD HEIGHTS
OFFICE 17
POLOKWANE
0699
TEL: (015) 297 7434
FAX: (086) 244 8999



CLIENT	DATE
CONSULTING ENGINEER	DATE

PLM 00/2019
UPGRADING OF P43/3 ROAD
Ga-SELWANA ACCESS ROAD
INFORMATION BOARD

CONSULTANTS DRAWING NUMBER	HCE 000/2019/151
----------------------------	------------------

SHEET	18 of 37
NO SCALE	
AS SHOWN	
CLIENT DRAWING NUMBER	PLM 000/2019/151