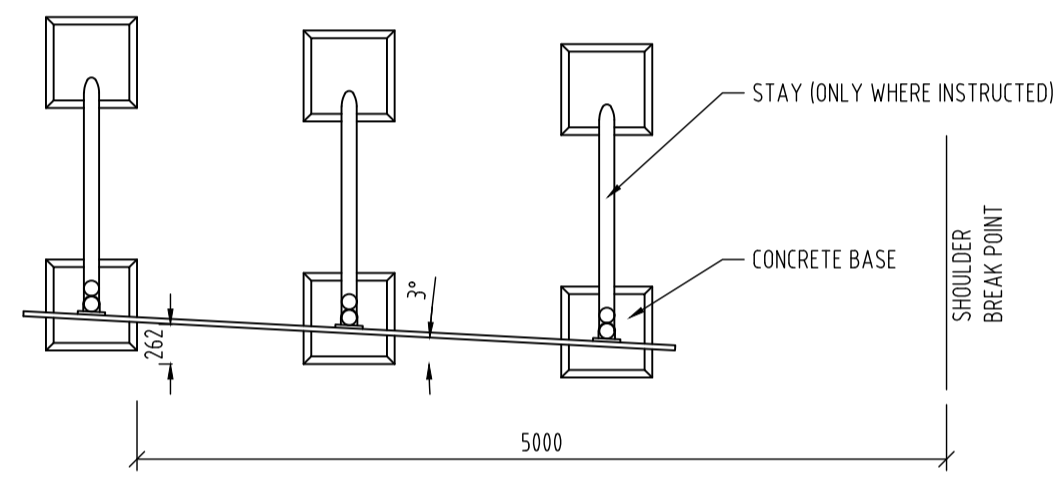
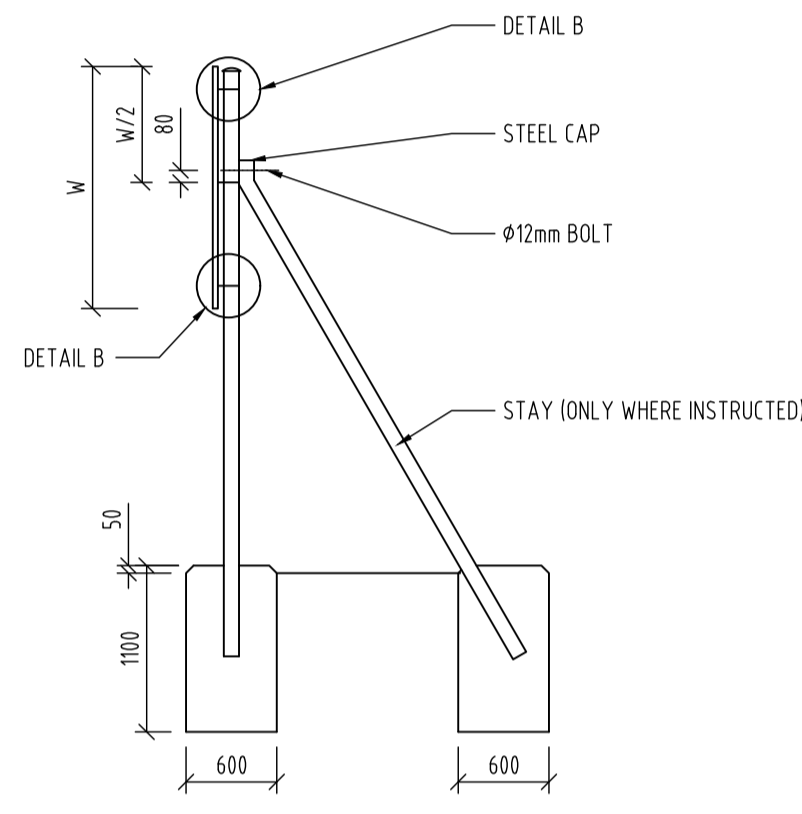


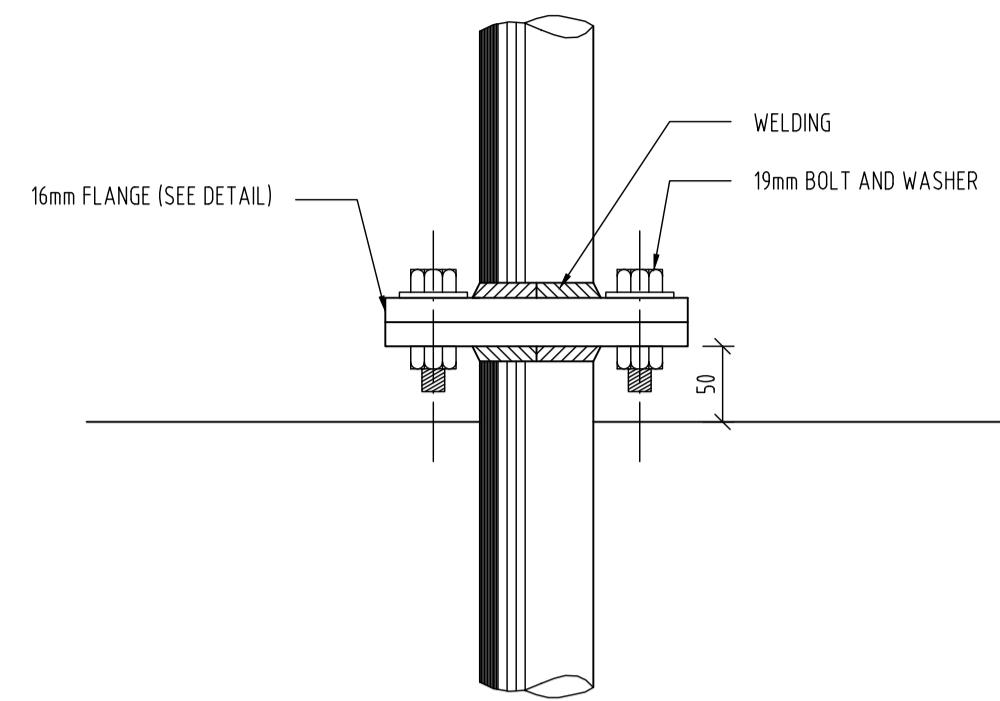
FRONT ELEVATION
(SCALE- 1:50)



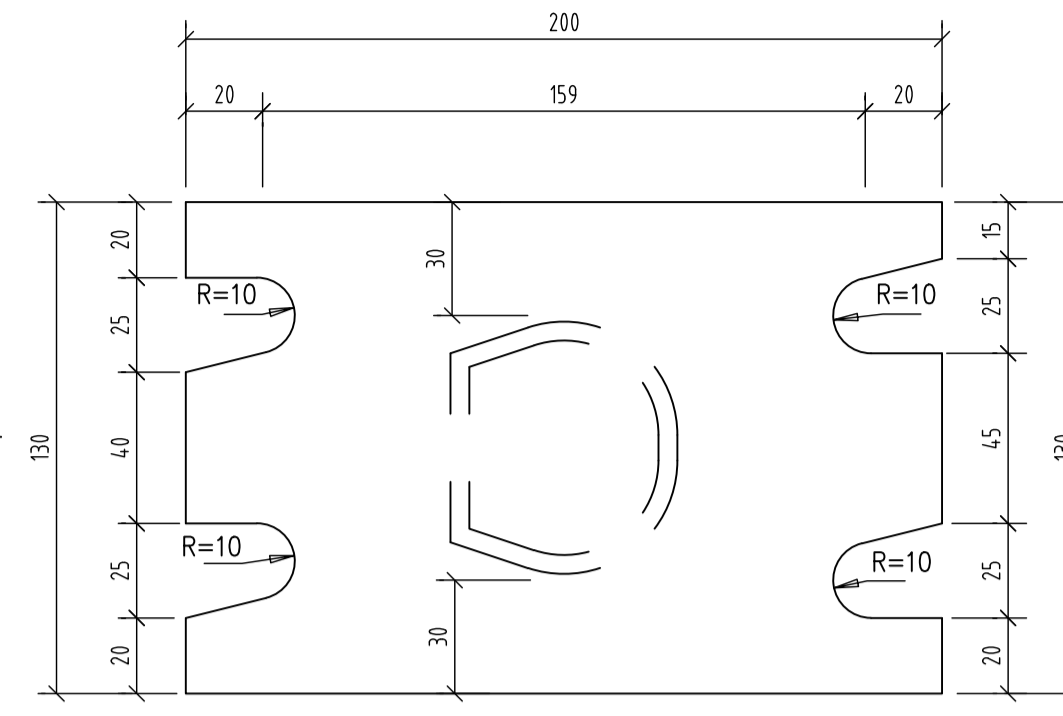
PLAN
(SCALE- 1:50)



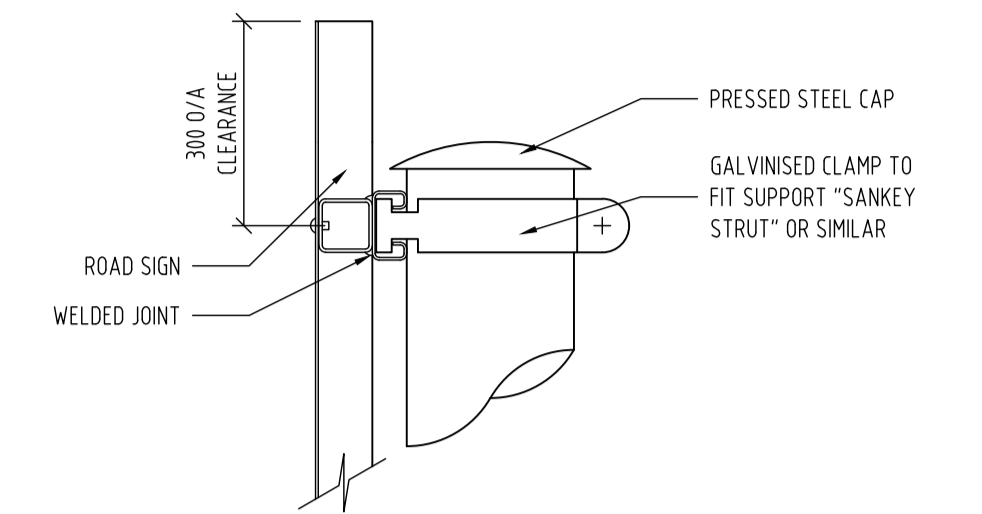
SIDE ELEVATION
(SCALE- 1:50)



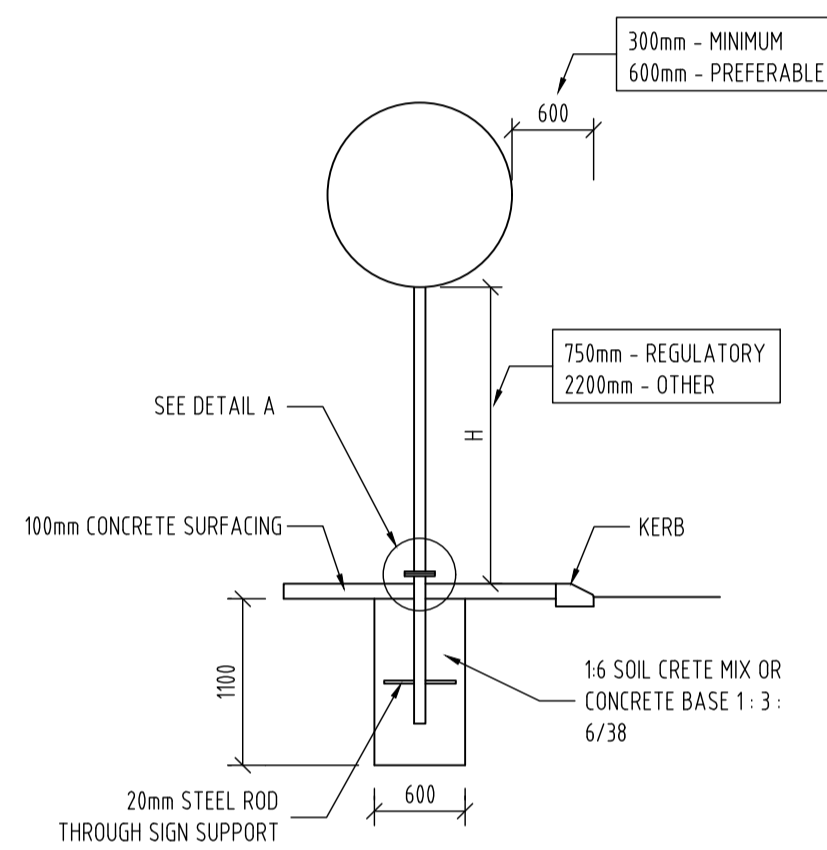
SIDE ELEVATION
(SCALE- 1:5)



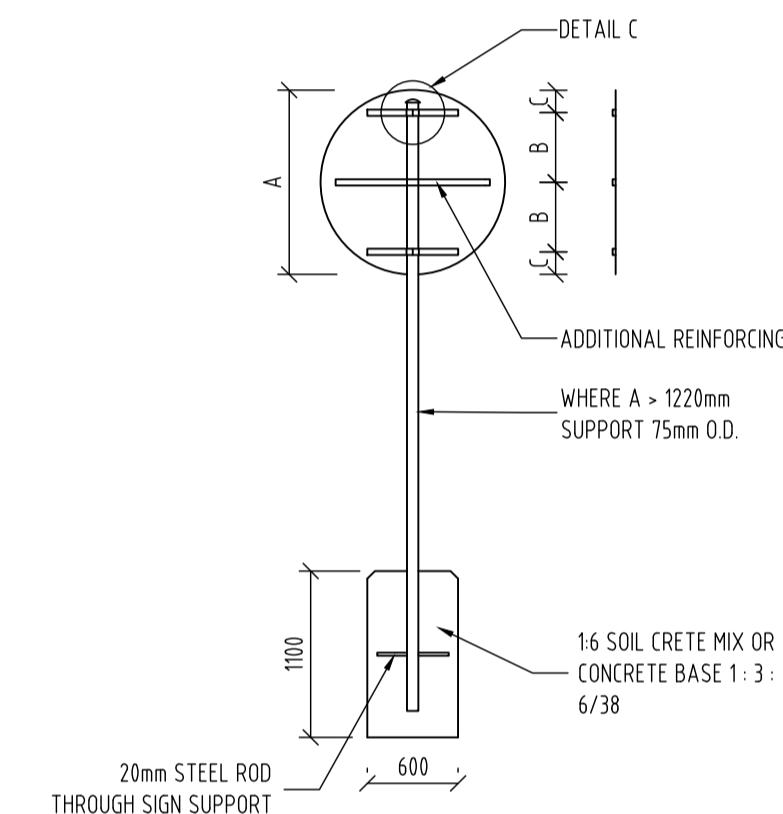
DETAIL OF FLANGE
(SCALE- 1:2)



DETAIL C
(SCALE- 1:100)

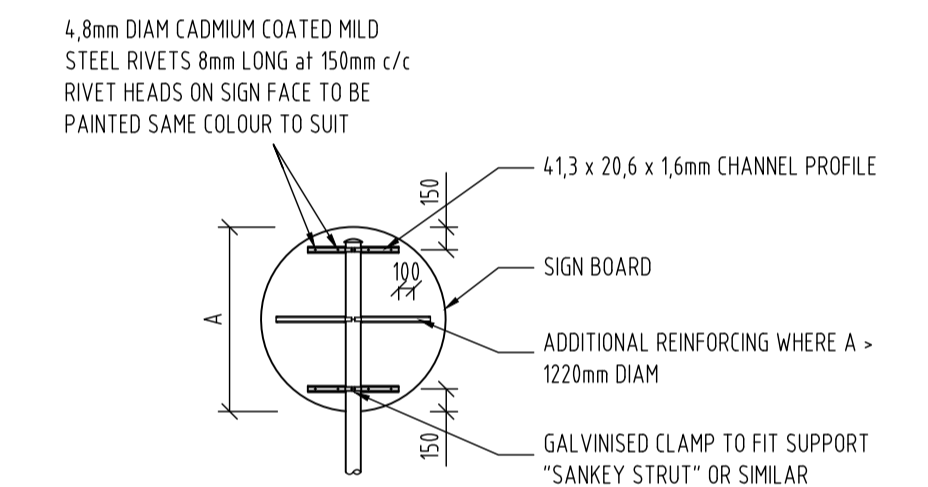


DETAIL A
(SCALE- 1:50)

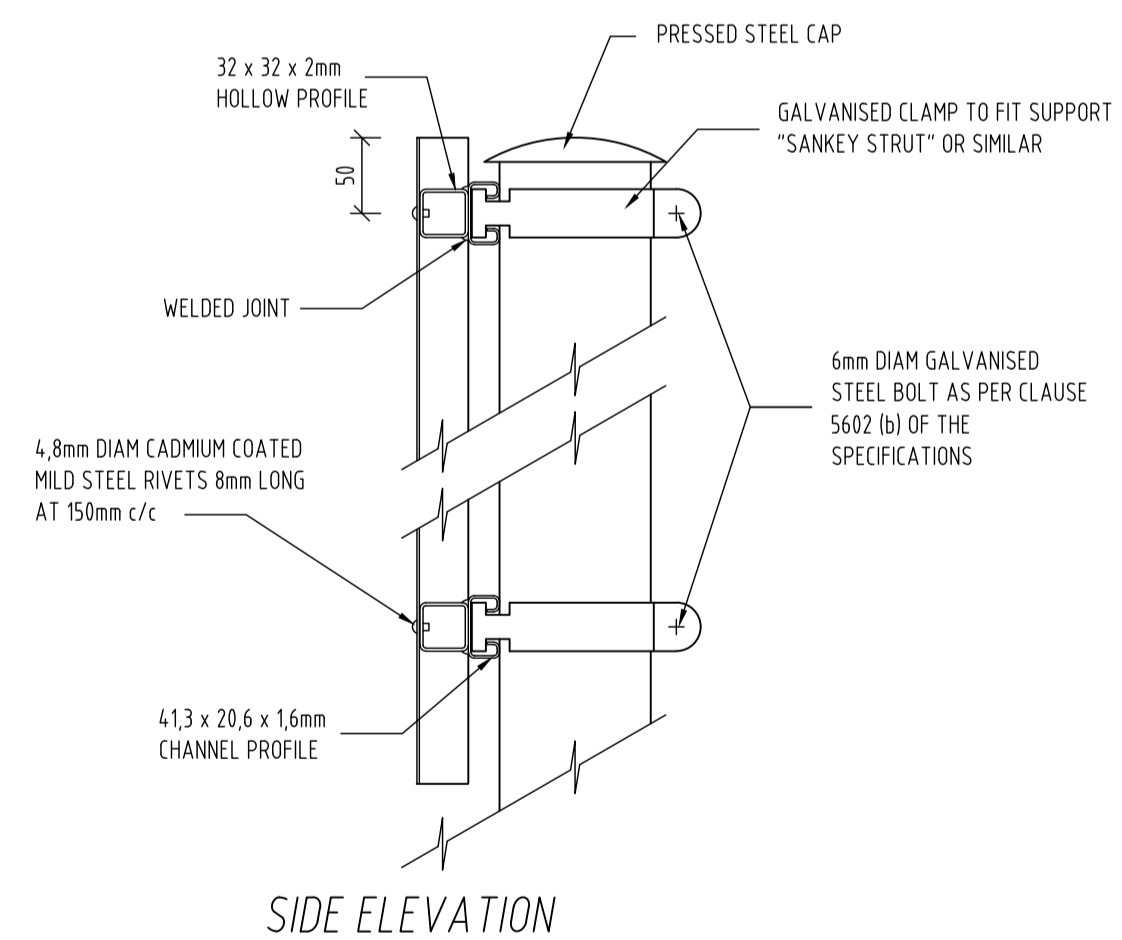


REINFORCING OF REGULATORY SIGNS
(SCALE- 1:50)

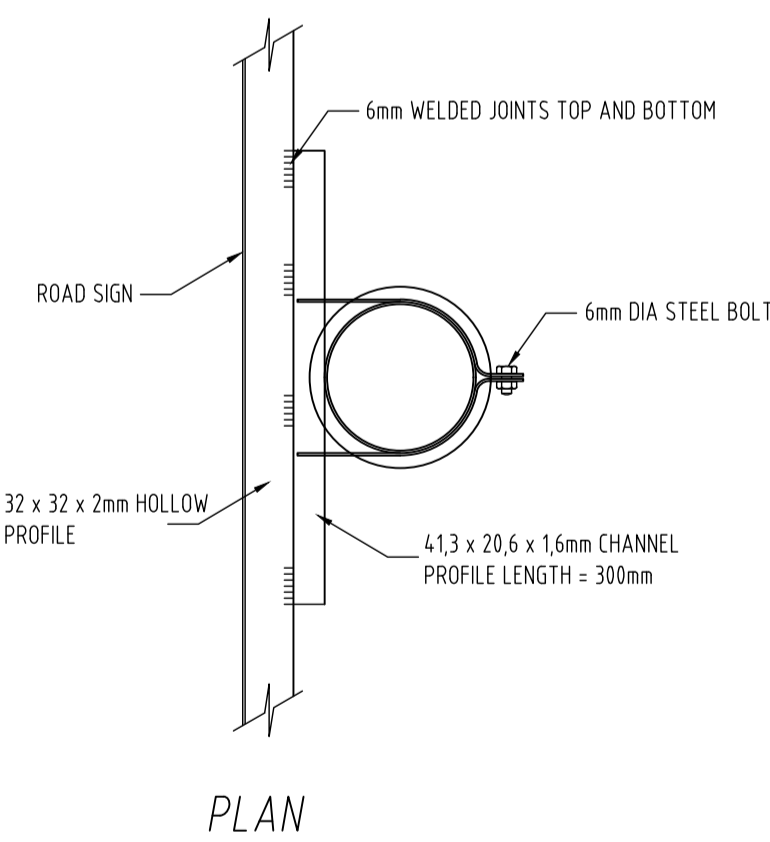
A	NUMBER REINFORCEMENTS	B	C
914	2	514	200
1220	3	460	150



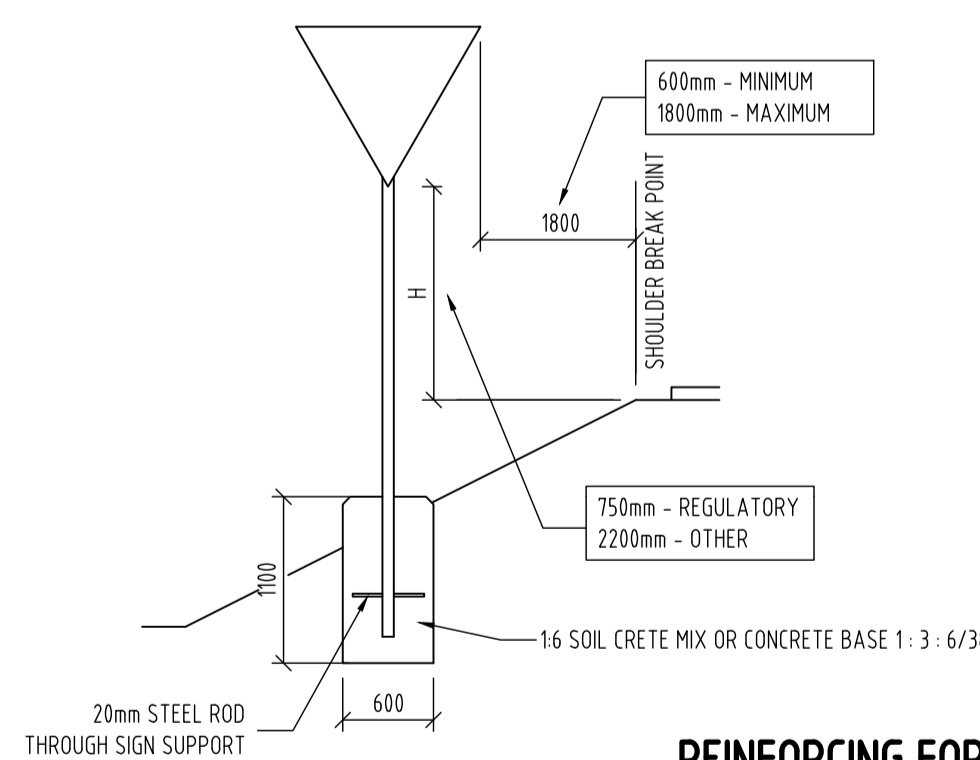
BACK ELEVATION
(SCALE- 1:50)



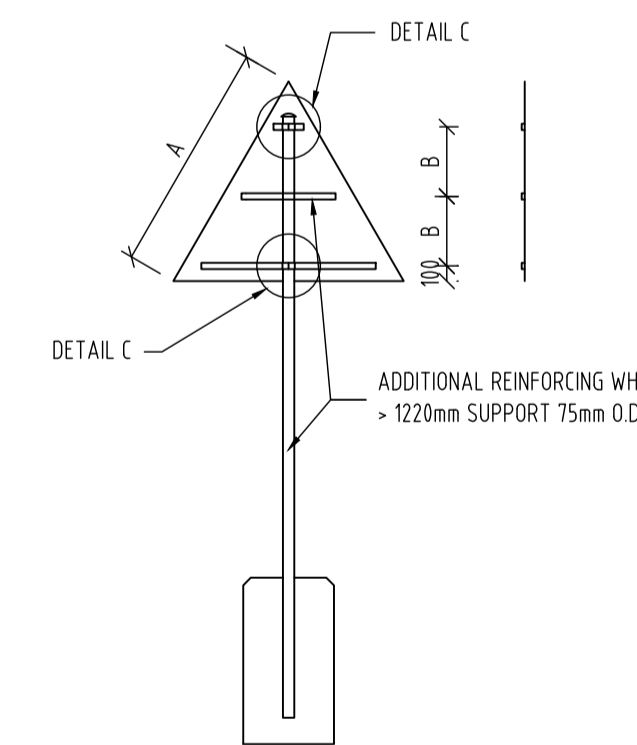
DETAIL B: MOUNTING OF INFORMATORY SIGNS G39 TO G44
(SCALE- 1:5)



PLAN
(SCALE- 1:50)

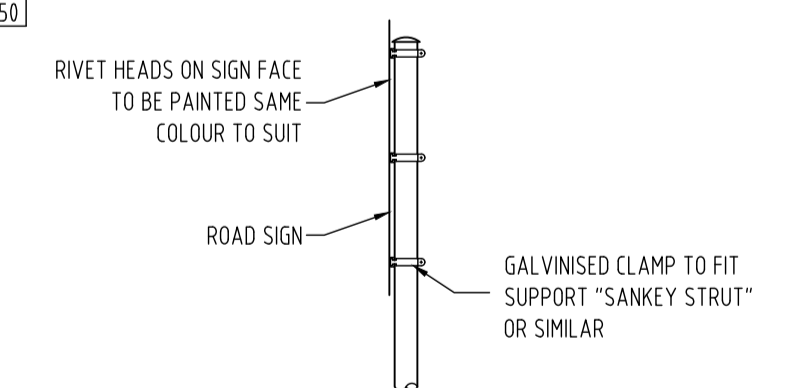


REINFORCING FOR WARNING SIGNS
(SCALE- 1:50)



BACK ELEVATION
(SCALE- 1:50)

A	NUMBER REINFORCEMENTS	B
914	2	572
1220	3	420
1524	3	550



SIDE ELEVATION
(SCALE- 1:50)

1m 2m 3m 4m 5m 6m 7m 8m 9m 10m
ORIGINAL SCALE 1:100

No	DATE	REVISION	CONSULT	DIR
A	15-08-2019	PRELIMINARY DESIGN DRAWING	L.G.N	S.M.N
		REVISION 1		

FOR PRELIMINARY

DESIGNED BY	SM NXUMALO (Pr. Technician)
CHECKED BY	LG NGCOBO (Pr. Technologist)
DRAWN BY	F BALOYI (Candidate Technician)
CHECKED BY	SM NXUMALO (Pr. Technician)

Palabora Copper (Pty) Limited
PO Box 65
1 Copper Road
1389
TEL: (015) 780 2911
FAX: (015) 780 2093



HILAYELI CONSULTING ENGINEERS
12 BICCARD STREET
BICCARD HEIGHTS
OFFICE 17
PULOKWANE
0699
TEL: (015) 297 7434
FAX: (086) 244 8999



CLIENT	DATE
CONSULTING ENGINEER	DATE

PLM 00/2019
UPGRADING OF P43/3 ROAD
Ga-SELWANA ACCESS ROAD
STANDARD DETAILS
ROAD SIGN ERECTION

For Date: 20/11
For Consulting Engineer: 20/11
CONSULTANTS DRAWING NUMBER:
HCE 000/2019/001

SHEET 29 OF 37
AS SCALE
AS SHOWN
CLIENT DRAWING NUMBER:
PLM 000/2019/001